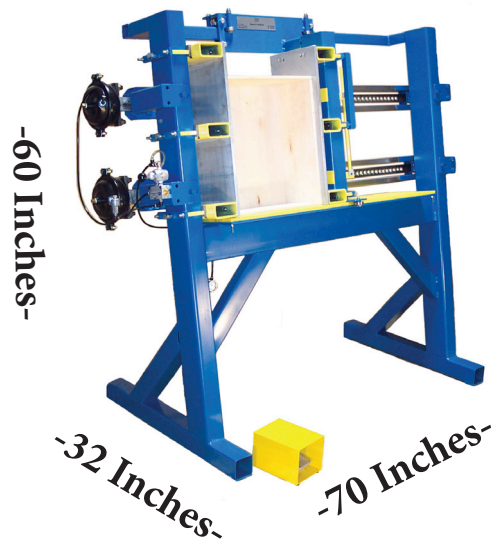




Model #190B-M2 **Drawer Clamp**



- Maximum 10" X 24" X 36" Capacity
- Pneumatic Foot Pedal Operation
- Aluminum Side Plates Provide A Solid, Flat Clamping Surface
- Quick Adjusting Roller Carriage Eliminates Set-Up For Faster Changeovers
- Comes With Complete 3-Year JLT Warranty



**Lever Valve Locks Air Pressure
For Glue Up Time**



**Drawbar Roller Carriage For
Quick, Easy Changeovers**

For More Information, Call **(845) 452-3780**

www.jamestaylor.com