



**#79F-M2-6-PC**  
Panel Clamp 6' Wide

# JLT CLAMPS

## CUSTOM SHOP CLAMPING SYSTEMS



**#717C-MI-DC**  
Stile & Rail Single Door Clamp  
26"x62"

## GLUE APPLICATORS

Glue applicators save an abundance of production time and every JLT model has an overnight glue storage system to minimize daily clean up.

**PLATE SPREADERS:**  
6" x 27"  
8" x 48" (shown), 60", 72" 96"

**ROLLER SPREADERS:**  
6" table top model (shown)  
13" floor model

**#160B**  
Stile Spreader for stile and rail doors

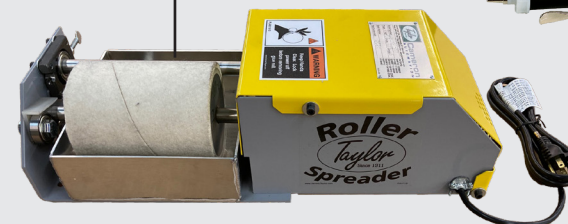


**#138B**  
8" x 48"  
Plate Spreader

**PIZ.900I**  
Pressurized A8 Glue Tank for PVA Glue

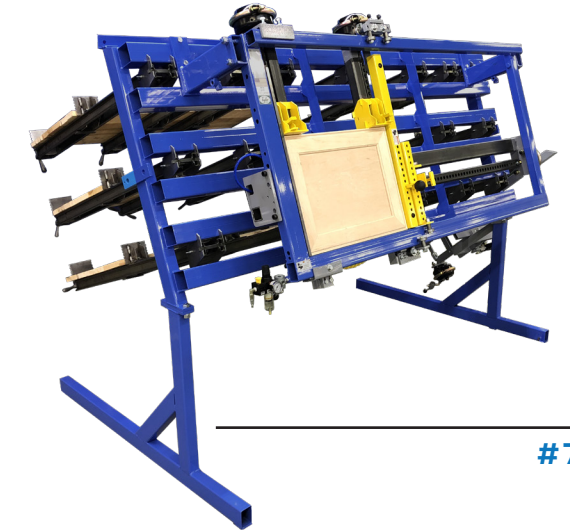


**#312B**  
6" Roller Spreader



## BUDDY SYSTEM

The Buddy Systems are real space savers combining 2 machines on one frame. Clamp panels on one side and doors on the other. Multiple size models available.



**#718A-8**

## PNEUMATIC POD PRESS

Heavy duty vertical clamping press for the custom shop. Maximum force: 10 tons @ 110psi. 12" Wide and 42", 84", 126" or 168" Long 16" Wide and 42" Long



**#78H-84**

Pneumatic Operation with Dial Regulator Pressure Controls

JAMES L. TAYLOR  
— EST. 1911 —

JLT CLAMPS | TAYLOR | CAMERON | ULTIMIZERS

James L. Taylor Manufacturing

130 Salt Point Turnpike | Poughkeepsie, NY 12603  
845-452-3780 | sales@jamestaylor.com  
jltclamps.com | jamesltaylor.com

### DOOR CLAMPS

Stile & Rail or Miter doors  
 Several models and sizes  
 All designed for easy change overs



**#717C-MI-M**  
 Single Miter and/or Stile & Rail Door Clamp 26" x 62"



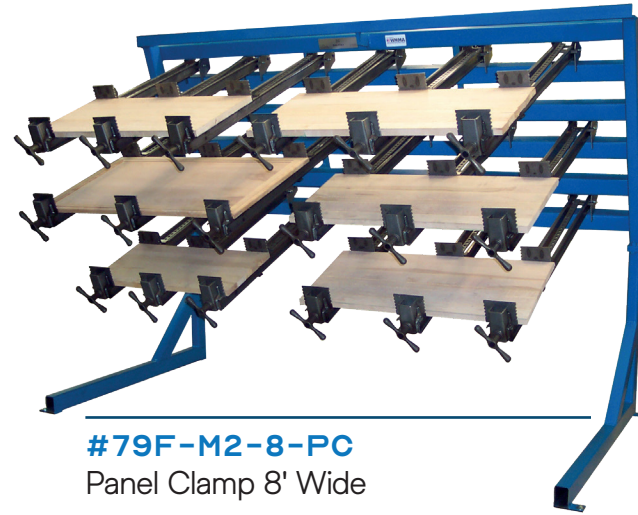
**#717C-MI-CHBB**  
 Double Miter and/or Stile & Rail Door Clamp 38" x 96"



**#79K-10**  
 Entry Door Clamp 48" x 120"  
 Custom Sizes Available

### PANEL CLAMPS

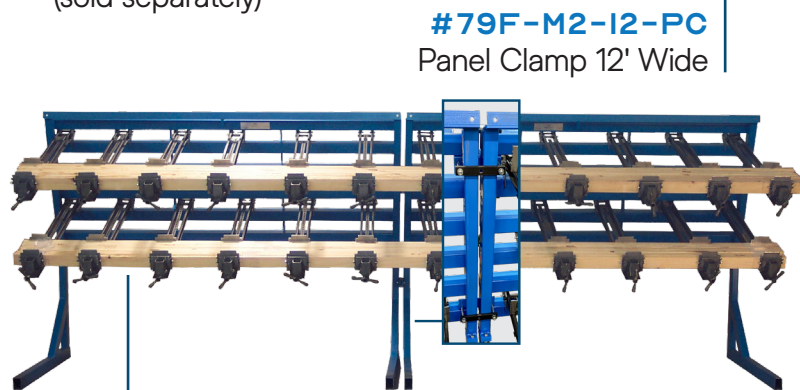
Straight and flat panels  
 4 times faster than bar clamps  
 Thickness range: 3/4" - 6"  
 Std. Clamps: 40" & 52" opening



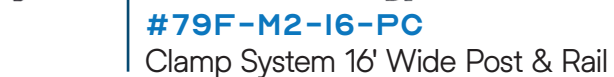
**#79F-M2-8-PC**  
 Panel Clamp 8' Wide



**#138B**  
 (sold separately)



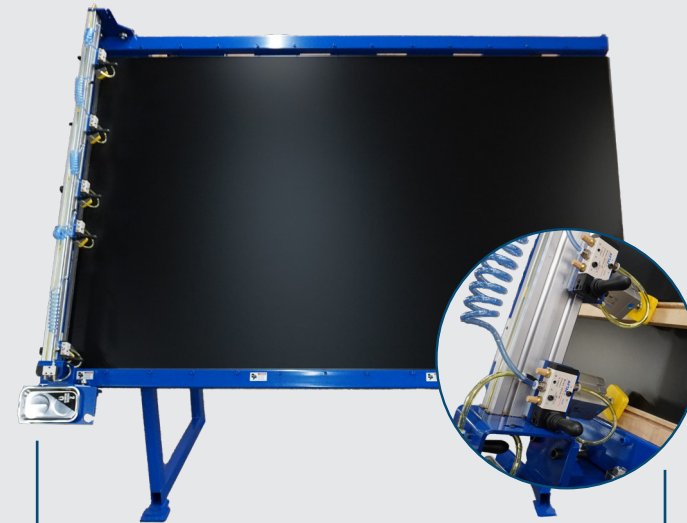
**#79F-M2-12-PC**  
 Panel Clamp 12' Wide



**#79F-M2-16-PC**  
 Clamp System 16' Wide Post & Rail

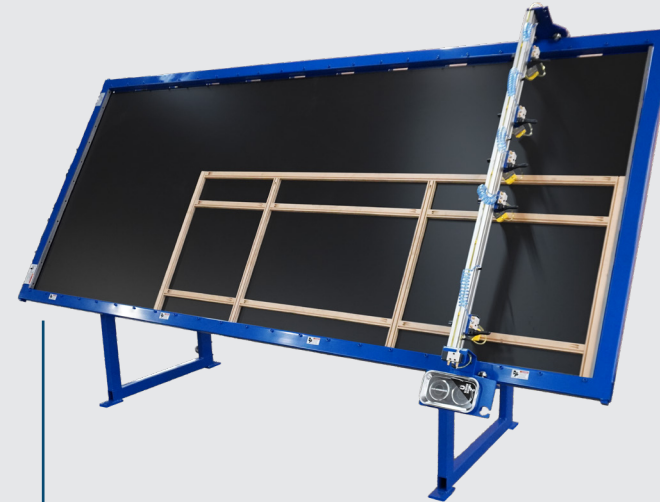
### FACE FRAME TABLES

Non marking melamine surface  
 Magnetic tray for holding fasteners  
 Rigid tubular construction for straight and flat face frames



**#720A-8W**  
 Face Frame Table 5' x 8'

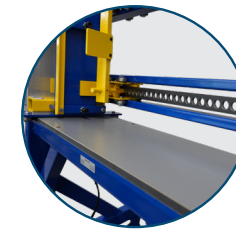
Innovative vertical pressure arm has easy adjusting pressure cylinders with individual pneumatic activation



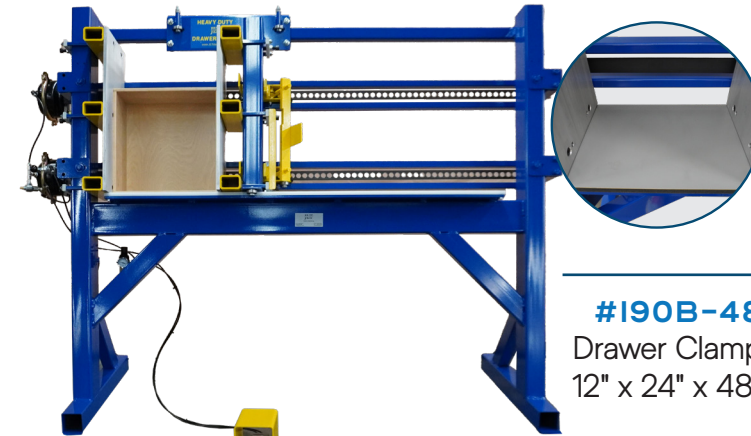
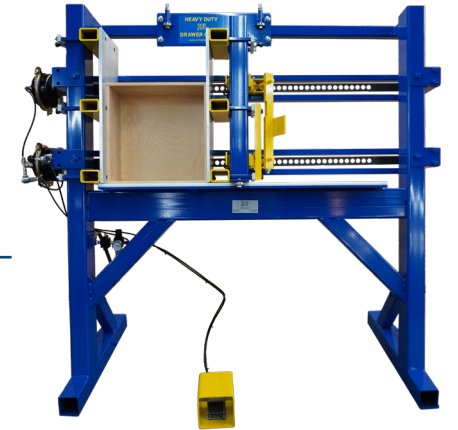
**#720A-12W**  
 Face Frame Table 5' x 12'  
 Optional Pressure Arms Available

### DRAWER CLAMPS

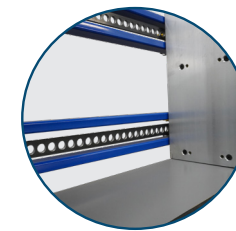
Dual pressure systems: on and hold or momentary on and off  
 Standard 10" & 12" depth, depending on model  
 Moving jaw is roller mounted



**#190B-36**  
 Drawer Clamp 10" x 24" x 36"



**#190B-48**  
 Drawer Clamp 12" x 24" x 48"



**#190C-48**  
 Drawer Clamp 12" x 48" x 48"

